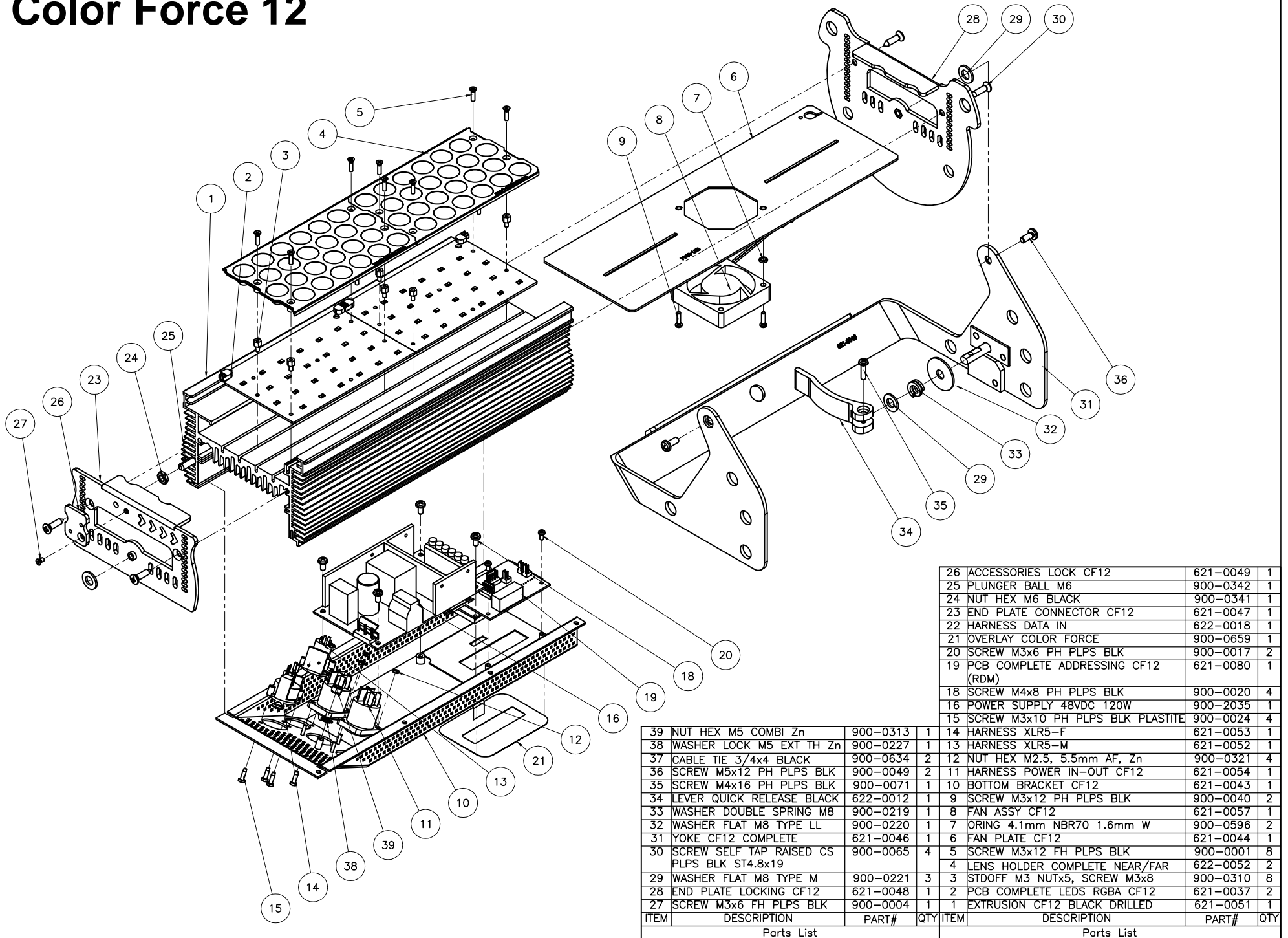


# Color Force 12



26	ACCESSORIES LOCK CF12	621-0049	1	26	ACCESSORIES LOCK CF12	621-0049	1
25	PLUNGER BALL M6	900-0342	1	25	PLUNGER BALL M6	900-0342	1
24	NUT HEX M6 BLACK	900-0341	1	24	NUT HEX M6 BLACK	900-0341	1
23	END PLATE CONNECTOR CF12	621-0047	1	23	END PLATE CONNECTOR CF12	621-0047	1
22	HARNESS DATA IN	622-0018	1	22	HARNESS DATA IN	622-0018	1
21	OVERLAY COLOR FORCE	900-0659	1	21	OVERLAY COLOR FORCE	900-0659	1
20	SCREW M3x6 PH PLPS BLK	900-0017	2	20	SCREW M3x6 PH PLPS BLK	900-0017	2
19	PCB COMPLETE ADDRESSING CF12 (RDM)	621-0080	1	19	PCB COMPLETE ADDRESSING CF12 (RDM)	621-0080	1
18	SCREW M4x8 PH PLPS BLK	900-0020	4	18	SCREW M4x8 PH PLPS BLK	900-0020	4
16	POWER SUPPLY 48VDC 120W	900-2035	1	16	POWER SUPPLY 48VDC 120W	900-2035	1
15	SCREW M3x10 PH PLPS BLK PLASTITE	900-0024	4	15	SCREW M3x10 PH PLPS BLK PLASTITE	900-0024	4
14	HARNESS XLR5-F	621-0053	1	14	HARNESS XLR5-F	621-0053	1
13	HARNESS XLR5-M	621-0052	1	13	HARNESS XLR5-M	621-0052	1
12	NUT HEX M2.5, 5.5mm AF, Zn	900-0321	4	12	NUT HEX M2.5, 5.5mm AF, Zn	900-0321	4
11	HARNESS POWER IN-OUT CF12	621-0054	1	11	HARNESS POWER IN-OUT CF12	621-0054	1
10	BOTTOM BRACKET CF12	621-0043	1	10	BOTTOM BRACKET CF12	621-0043	1
9	SCREW M3x12 PH PLPS BLK	900-0040	2	9	SCREW M3x12 PH PLPS BLK	900-0040	2
8	FAN ASSY CF12	621-0057	1	8	FAN ASSY CF12	621-0057	1
7	ORING 4.1mm NBR70 1.6mm W	900-0596	2	7	ORING 4.1mm NBR70 1.6mm W	900-0596	2
6	FAN PLATE CF12	621-0044	1	6	FAN PLATE CF12	621-0044	1
5	SCREW M3x12 FH PLPS BLK	900-0001	8	5	SCREW M3x12 FH PLPS BLK	900-0001	8
4	LENS HOLDER COMPLETE NEAR/FAR	622-0052	2	4	LENS HOLDER COMPLETE NEAR/FAR	622-0052	2
3	STDOFF M3 NUTx5, SCREW M3x8	900-0310	8	3	STDOFF M3 NUTx5, SCREW M3x8	900-0310	8
2	PCB COMPLETE LEDS RGBA CF12	621-0037	2	2	PCB COMPLETE LEDS RGBA CF12	621-0037	2
1	EXTRUSION CF12 BLACK DRILLED	621-0051	1	1	EXTRUSION CF12 BLACK DRILLED	621-0051	1
ITEM	DESCRIPTION	PART#	QTY	ITEM	DESCRIPTION	PART#	QTY
Parts List				Parts List			