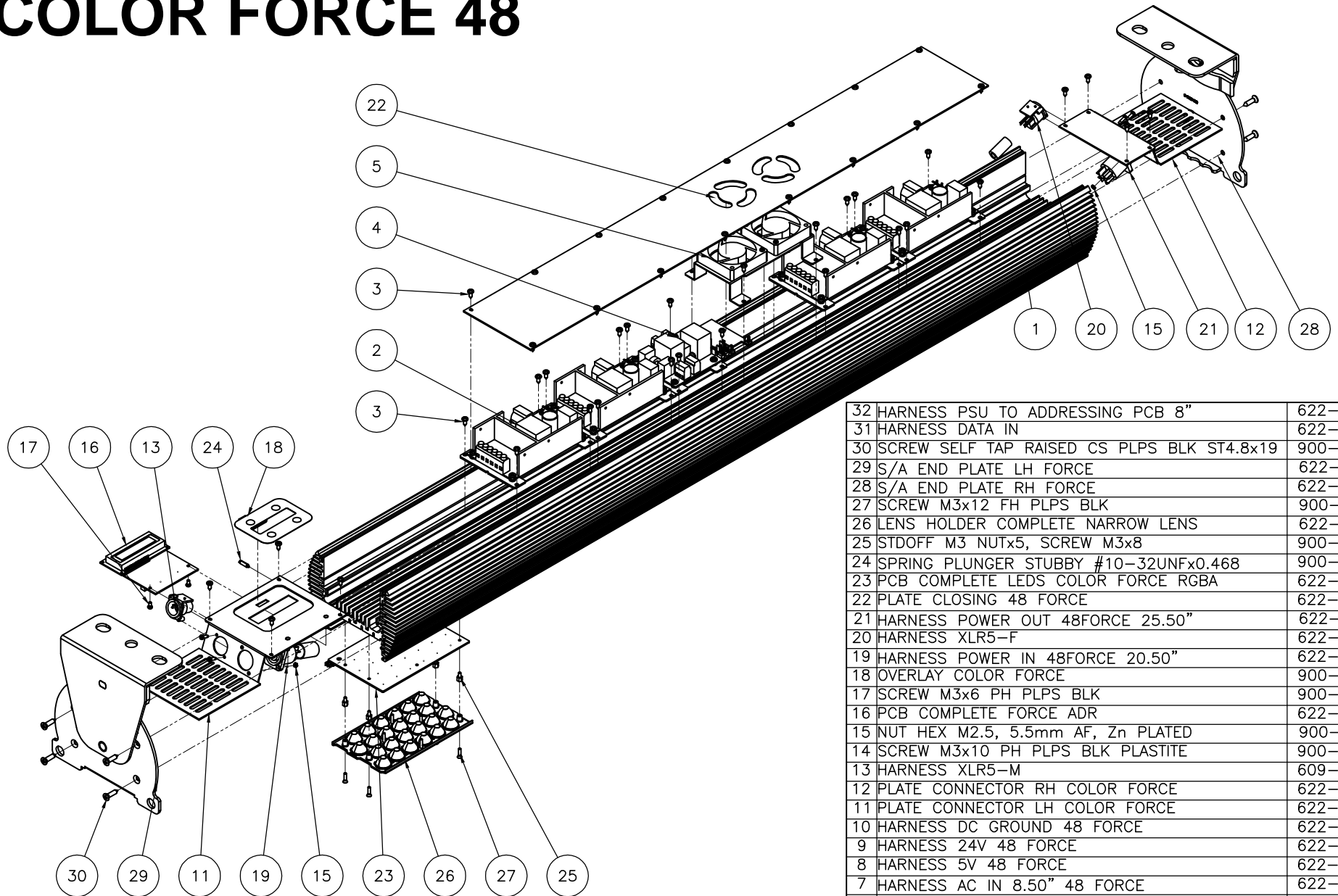


# COLOR FORCE 48



32	HARNESS PSU TO ADDRESSING PCB 8"	622-0036	1
31	HARNESS DATA IN	622-0018	1
30	SCREW SELF TAP RAISED CS PLPS BLK ST4.8x19	900-0065	8
29	S/A END PLATE LH FORCE	622-0061	1
28	S/A END PLATE RH FORCE	622-0060	1
27	SCREW M3x12 FH PLPS BLK	900-0001	32
26	LENS HOLDER COMPLETE NARROW LENS	622-0051	8
25	STD OFF M3 NUTx5, SCREW M3x8	900-0310	32
24	SPRING PLUNGER STUBBY #10-32UNFx0.468	900-0407	2
23	PCB COMPLETE LEDS COLOR FORCE RGBA	622-0075	8
22	PLATE CLOSING 48 FORCE	622-0034	1
21	HARNESS POWER OUT 48FORCE 25.50"	622-0041	1
20	HARNESS XLR5-F	622-0039	1
19	HARNESS POWER IN 48FORCE 20.50"	622-0040	1
18	OVERLAY COLOR FORCE	900-0659	1
17	SCREW M3x6 PH PLPS BLK	900-0017	2
16	PCB COMPLETE FORCE ADR	622-0026	1
15	NUT HEX M2.5, 5.5mm AF, Zn PLATED	900-0321	4
14	SCREW M3x10 PH PLPS BLK PLASTITE	900-0024	4
13	HARNESS XLR5-M	609-0007	1
12	PLATE CONNECTOR RH COLOR FORCE	622-0005	1
11	PLATE CONNECTOR LH COLOR FORCE	622-0004	1
10	HARNESS DC GROUND 48 FORCE	622-0046	1
9	HARNESS 24V 48 FORCE	622-0045	1
8	HARNESS 5V 48 FORCE	622-0044	1
7	HARNESS AC IN 8.50" 48 FORCE	622-0043	1
6	HARNESS AC OUT 19.00" 48 FORCE	622-0042	1
5	S/A FANS BRACKET FORCE	622-0056	1
4	S/A FILTER PCB FORCE	622-0055	1
3	SCREW SELF TAP PH PLPS BLK ST3.5x9.5	900-0120	48
2	S/A PSU FORCE	622-0054	4
1	EXTRUSION FORCE 45 7/8" BLACK DRILLED	622-0048	1
ITEM	DESCRIPTION	PART#	QTY

Parts List