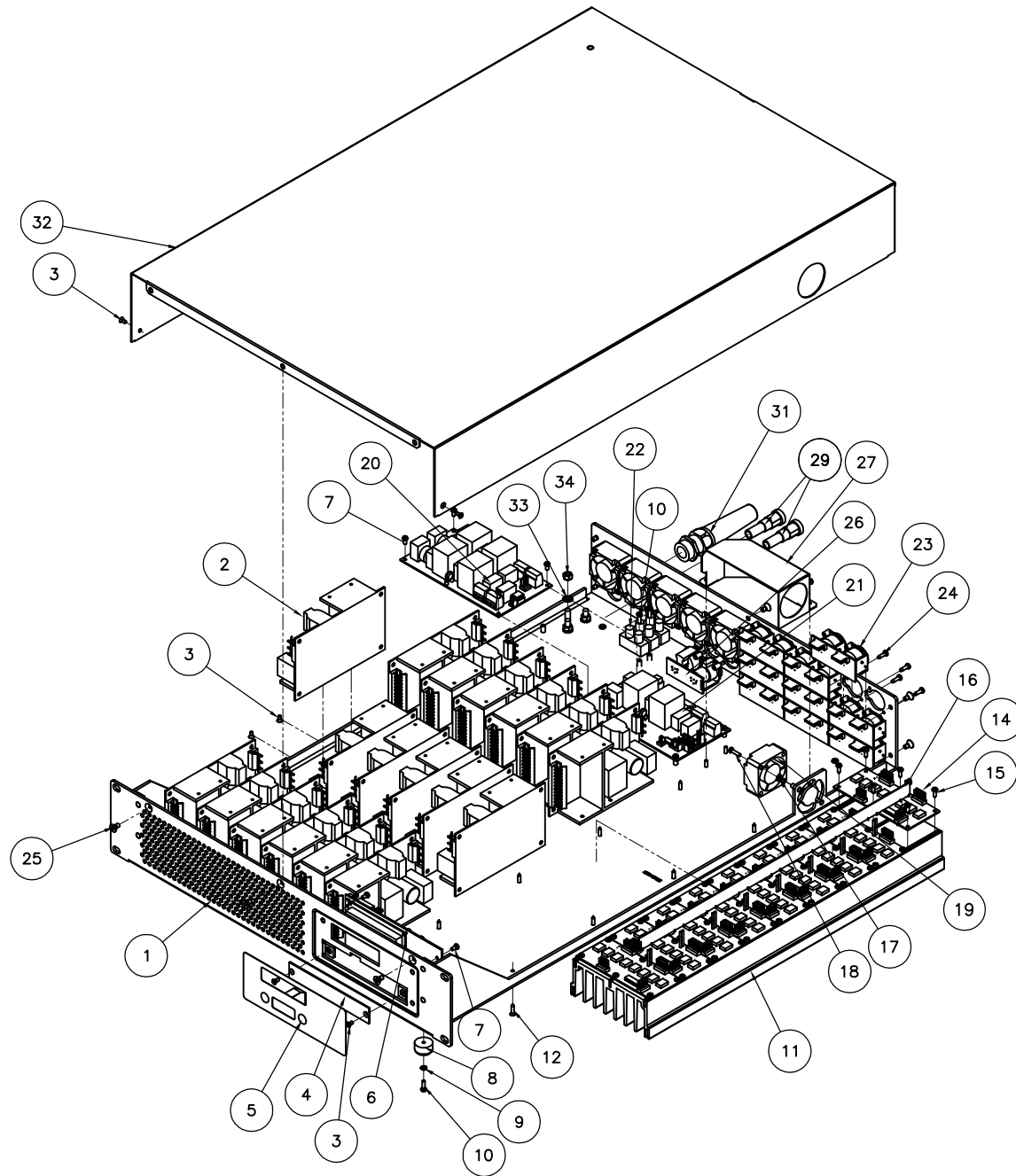


# COLOR SPAN PS18



48	GROUND TERMINAL BLOCK PSU-30	100-0054	1
47	HARNESS-WHITE 602 FUSE TO TERM BLOCK	100-0053	1
46	HARNESS-BLK 602 FUSE TO TERM BLOCK	100-0052	1
43	HARNESS POWER STAGE SWITCH 17"	100-0023	1
42	HARNESS POWER STAGE SWITCH 22"	100-0022	1
39	JUMPER ETHERCON TO CUR_CTRL PCB 10"	617-0025	6
38	JUMPER ETHERCON TO CUR_CTRL PCB 15"	617-0024	6
45	GROUND CHASSIS TO COVER PSU-08	139-0013	1
44	HARNESS PSU-30 POWER IN (EU)	602-0047	1
41	HARNESS POWER STAGE SWITCH 27"	100-0021	1
40	JUMPER 2 PIN 10"LG	100-0020	2
37	JUMPER ETHERCON TO CUR_CTRL PCB 20"	617-0023	6
36	PSU18 AC IN (15.0")	100-0027	2
35	PSU18 AC IN (29.5")	100-0026	4
30	FUSE 3AG SB 20 A	900-1038	2
34	NUT HEX M5 COMBI Zn	900-0313	4
33	WASHER LOCK M5 EXT TOOTH Zn	900-0227	4
32	COVER PSU18	617-0002	1
31	STRAIN RELIEF SL-FLEX PG13	900-5123	1
29	FUSE HOLDER 1/4x1&1/4" 20A snap in	900-1022	2
28	NUT HEX M3 COMBI Blk	900-0307	2
27	BRACKET FUNNEL	617-0019	1
26	PCB COMPLETE XLR5 PSU STRIP	617-0020	1
25	SCREW M4x8 FH PLPS BLK	900-0069	8
24	SCREW M3x10 PH PLPS BLK Plastite	900-0024	40
23	PCB COMPLETE ETHERCON/STRIP	617-0009	9
22	SCREW TERM 10Ga 3 POSITION	900-0907	1
21	PCB COMPLETE FILTER PSU 6	617-0016	1
20	PCB COMPLETE FILTER/STAGE SWITCH	602-0071	1
19	FAN ASSEMBLY 602	100-0028	6
18	SCREW M3x12 PH PLPS Blk	900-0040	12
17	ORING 4.1mm NBR70 1.6mm W	900-0596	12
16	PCB COMPLETE INTERCONNECT 18	617-0007	1
15	SCREW SELF TAP SS PH PLPS ST2.9x9.5	900-0054	54
14	PCB COMPLETE CURRENT CONTROL	617-0006	9
13	INSULATION THERMALLY CONDUCTIVE 150mm	900-2013	1
12	SCREW SELF TAP FH PZDV BLK ST2.9x13	900-0080	8
11	HEATSINK 16.5" BLK	617-0010	1
10	SCREW M3x10 PH PLPS Blk	900-0014	6
9	WASHER LOCK M3 Blk	900-0204	4
8	BUMPER RECESSED RBW-0718-01	900-0604	4
7	SCREW M3x6 PH PLPS Blk	900-0017	11
6	PCB COMPLETE ADDRESSING PSU STRIP	617-0013	1
5	OVERLAY PSU STRIP	617-0014	1
4	PCB COMPLETE CAP SENSE	617-0022	1
3	SCREW M3x6 FH PLPS Blk	900-0004	40
2	POWER SUPPLY 48VDC 120W	900-0642	18
1	CHASSIS PSU18	617-0001	1
ITEM	DESCRIPTION	PART#	QTY

Parts List