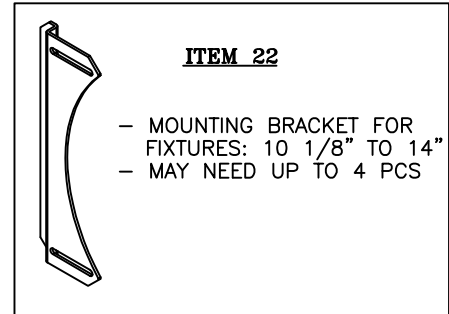
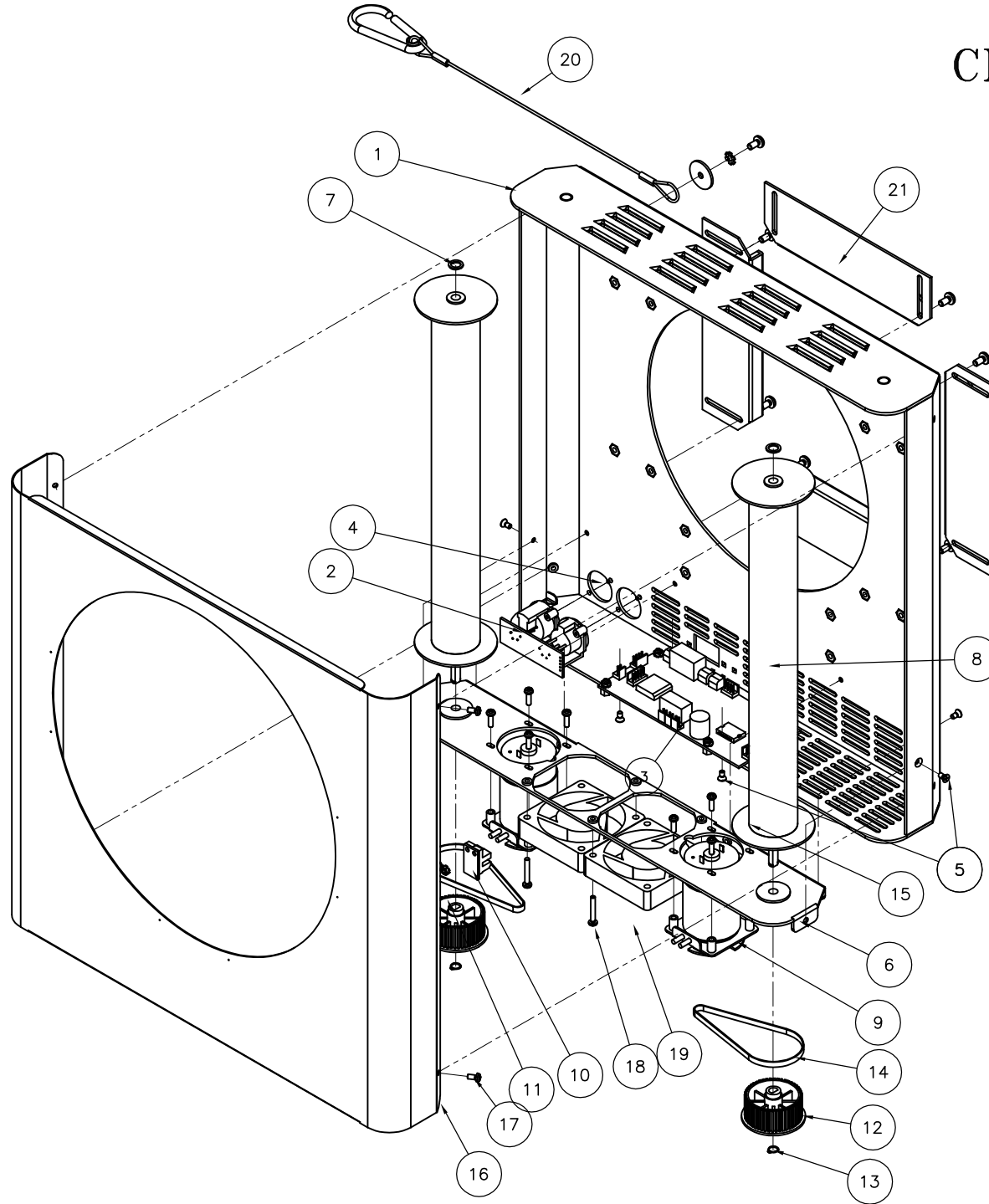


CHROMA-Q UNIVERSAL



22	BRACKET MNTG 10-14	110-0159	1
21	UNIVERSAL MNTG BRACKET KIT	110-0154	4
20	SAFETY CHAIN ASSY KIT	110-0153	1
19	FAN ASSY 60x60	900-1203	2
18	SCREW M3x20 PH PLPS BLK	900-0043	4
17	SCREW M3x6 PH PLPS BLK	900-0017	4
16	COVER FRONT UNIVERSAL	111-0019	1
15	SCREW M3x10 PH PLPS BLK	900-0014	8
14	BELT TIMING T2.5-200	900-0656	2
13	RET RING EXT 6mm	900-0501	2
12	PULLEY TIMING 48TEETH	103-0063	2
11	NUT HEX M3 COMBI BIK	900-0307	2
10	DUAL OPTICAL SWITCH 2.5"LG	100-0006	1
9	MOTOR S/A UNIVERSAL	111-0011	2
8	T.U.R. UNIVERSAL	111-0012	2
7	WASHER FLAT 0.260"ID Ni	900-0224	2
6	SHELF DRIVE SYSTEM C/W BEARINGS	111-0013	1
5	SCREW M3x6 FH PLPS BLK	900-0004	10
4	SCREW M3x10 PH PLPS BLK Plastite	900-0024	4
3	PCB COMPLETE UNIVERSAL SMT	111-0022	1
2	PCB FILLED XLR 4PIN	100-0001	1
1	CHASSIS	111-0001	1
ITEM	DESCRIPTION	PART#	QTY
Parts List			