



# Chroma-Q™ Blinder Frame for 4 Color Block™ DB4

Part No:  
CHCBBF

## SPECIFICATION SHEET

V 1.1

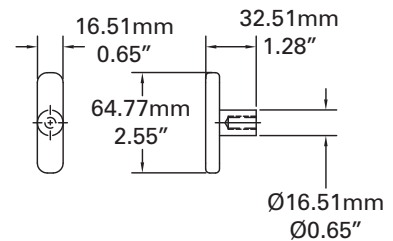
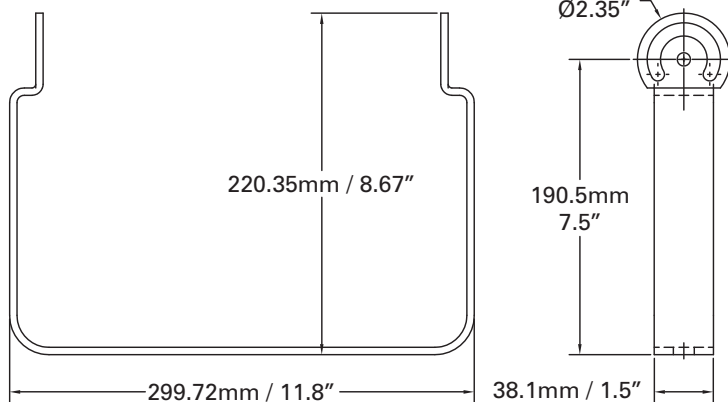
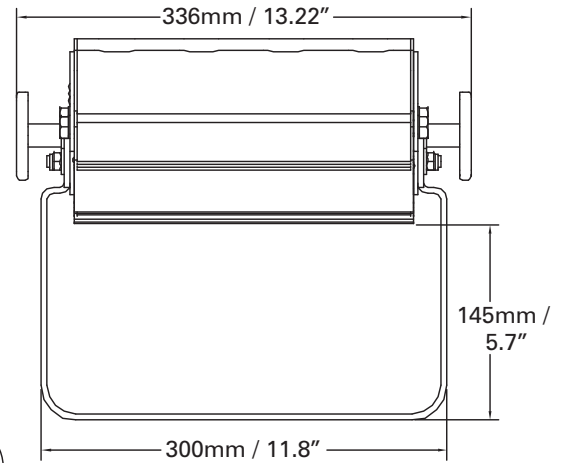
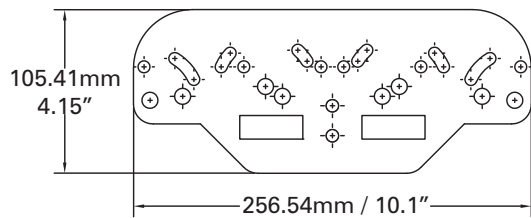
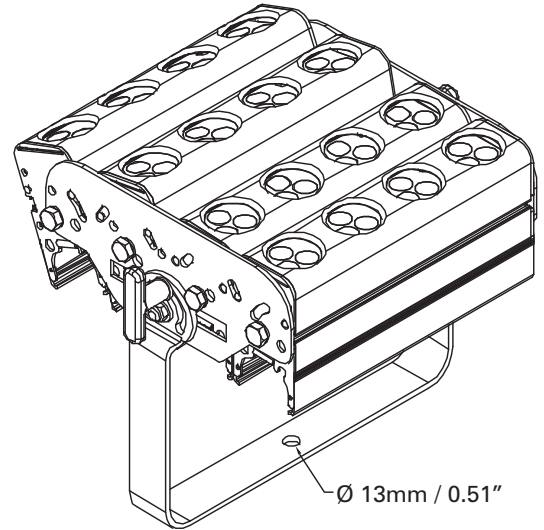
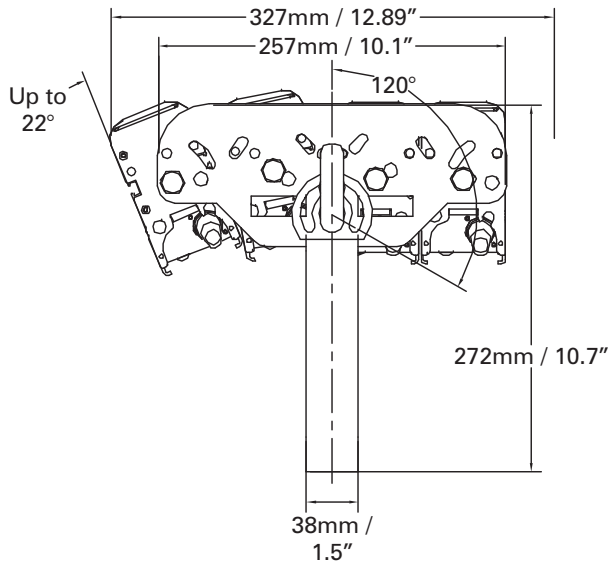
### ORDERING INFORMATION

**Model**  
Blinder Frame for 4 Color Block DB4

**Part No**  
CHCBBF4

### ADDITIONAL ACCESSORY

Single link cable for blinder formation (requires 3 cables per blinder)



Color Block DB4 units shown for illustration purposes only - not included

[www.chroma-q.com](http://www.chroma-q.com)