



Chroma-Q™ Color Block™ DB4 UV400 LED Fixture

**Part No:
CHCB4-UV**

S P E C I F I C A T I O N S H E E T

V 1.3

DESCRIPTION

The UV LED fixture unit shall be suitable for creating a wide range of fixture configurations.

The fixture shall offer a full range of fixing accessories for wall, floor, truss, stand and vertical hanging units.

The fixture shall provide highly efficient light output in a compact design.

The fixture shall emit light in the 400nm UV range.

The fixture shall offer a choice of individual cells control mode.

The fixture shall be manufactured from extruded lightweight material.

The fixture shall be controlled by DMX via PSU.

The fixture shall be dimmable.

The fixture shall have strobe function.

FEATURES

- All-purpose design - create custom LED lighting solutions for a wide variety of applications (including touring, rental, TV, theatre, tradeshow and indoor architectural).
- Modular construction - easily configured as a wide variety of shapes.
- Comprehensive range of fixing accessories available for wall, floor, truss, stand and vertical hanging.
- Heavy gauge anodised aluminium extrusion - lightweight but extremely robust.
- Additional protection around the lenses for a truly road-proof fixture.
- Slimline design with cable management - perfect for discreet installation.
- Active cooling system - safe, efficient and optimal operation in most conditions.
- Lamp life of up to 20,000 hours - very low maintenance and cost of ownership.
- Choice of 5 unit and 30 unit power supplies - to suit smaller and larger systems.
- Full DMX control (via PSU).
- Fully dimmable and strobe capability.

OVERALL SPECIFICATIONS cont.

Net dimensions (without fixings):	Width (A): 250mm / 9.8" Height (B): 62mm / 2.4" Depth (C): 117mm / 4.6"
Net weight:	1.4kg / 3lbs
Shipping dimensions:	Width: 267mm / 10.5" Height: 76mm / 3" Depth: 127mm / 5"
Shipping weight:	1.4kg / 3.1lbs
Power consumption:	See power supply
Connector in/out:	XLR4
Cooling fans:	1
Max cable run:	60m / 200'
LED heads:	12 x UV LED
Lamp life:	Up to 20,000 hours
Beam dispersion:	14° (approx.)
IP rating:	IP20
Control types:	4 channels
Built-in hardware:	Interlocking system & quick release catches for connecting as battens, 2 x M10 nuts. See Accessories list below for wall, floor and truss mounting options

ORDERING INFORMATION

Model	Part No
Chroma-Q Color Block DB4 UV - black	CHCB4-UV
Chroma-Q Color Block DB4 UV - other colours	POA

ACCESSORIES

Model	Part No
Chroma-Q PSU for up to 5 Color Blocks	CHCBPSU05
Chroma-Q PSU for up to 30 Color Blocks	CHCBPSU30
Yoke kit for single Color Block	CHCBSY
Batten bracket kit for up to 5 Color Block	CHCBBB
Blinder frame for 4 Color Block	CHCBBF4
90 degree corner for Color Block	CHCBC90
Hinge kit for Color Block	CHCBHP
Wall bracket for single Color Block	CHCBWB
LED pipe for Color Block 1300mm / 4' (5-way batten)	CHCBLP
LED Pipe for Color Block 250mm / 9.8" (single DB4)	CHCBLP250
20 deg beam kit for Color Block	CHCBBK20
30 deg beam kit for Color Block	CHCBBK30
30 x 5 deg beam kit for Color Block	CHCBBK3005
60 x 10 deg beam kit for Color Block	CHCBBK6010



www.chroma-q.com

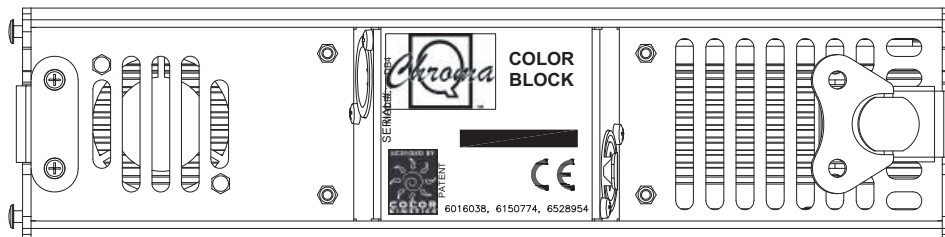
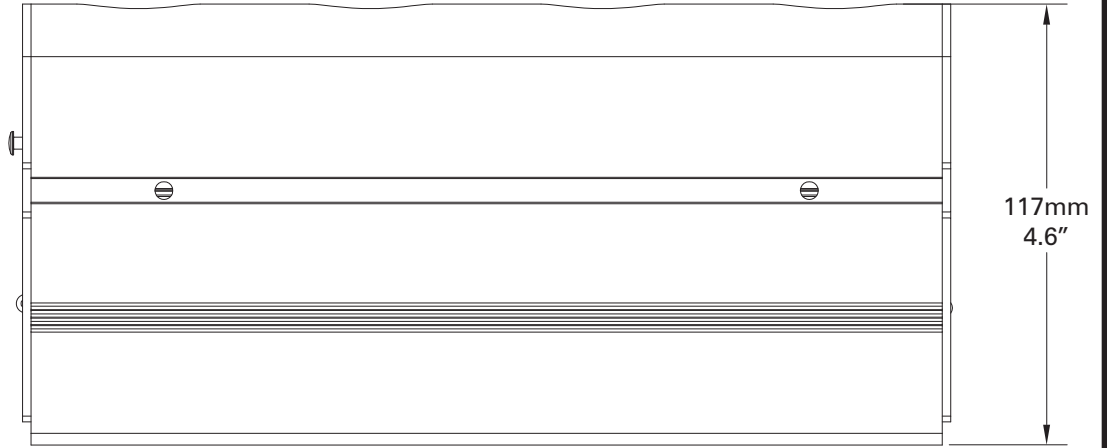
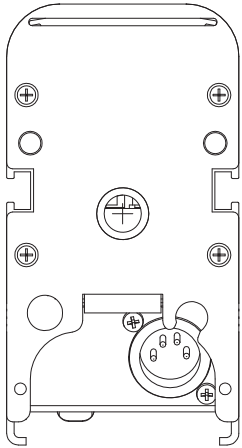
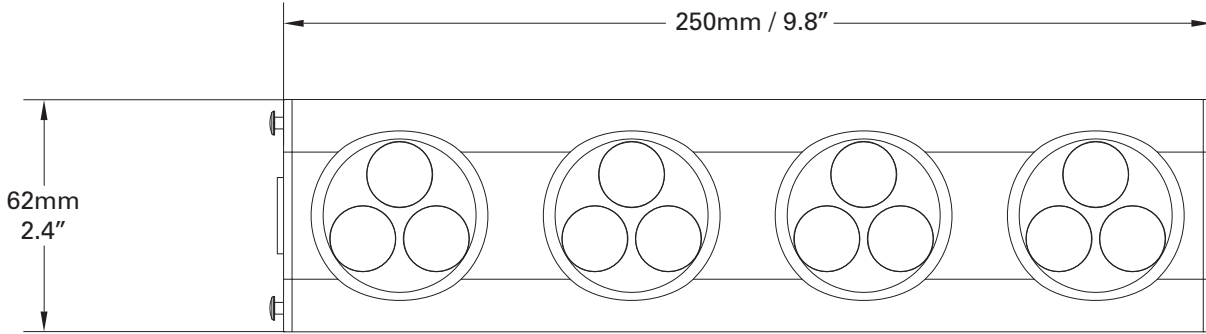


**Chroma-Q™ Color Block™ DB4 UV400
LED Fixture**

**Part No:
CHCB4-UV**

S P E C I F I C A T I O N S H E E T

V 1.3



www.chroma-q.com

All Chroma-Q LED products are licensed by Color Kinetics. Chroma-Q and all associated product names are recognised trademarks, for more information visit www.chroma-q.com/trademarks. The rights and ownership of all trademarks are recognised. The information contained herein is correct at the time of printing, however as we are constantly refining our product range we reserve the right to change the specification without notice. E60E.