



# Chroma-Q™ Color Charge™ RGBA LED Fixture

**Part No:  
CHCCRGBA**

## S P E C I F I C A T I O N S H E E T

**V 1.3**

### DESCRIPTION

The fixture shall provide a portable, battery powered LED lighting source.  
 The battery shall be NIMH.  
 The head shall be focusable over a range greater than 90°.  
 The fixture shall be suitable for a wide range of indoor temporary lighting applications.  
 The fixture shall provide wireless and wired control.  
 The fixture shall provide a master slave mode via wireless signal.  
 The fixture shall provide RGBA colour mixing.  
 The fixture shall provide a high CRI of 92.  
 The fixture shall provide 600 hot lumens output.  
 The fixture shall provide up to 30 hours usage from a single battery charge.  
 The fixture shall have a gas gauge.  
 The fixture shall provide a smooth, linear dimming curve.  
 The fixture shall offer a choice of RGB, RGBA, St RGBI (\*Magic Amber™) and Fx HSI control modes.  
 The fixture shall feature a built-in stand-alone mode with real-time triggering.  
 The fixture shall be manufactured from partially recyclable materials.  
 The fixture shall be fanless.  
 The fixture shall provide operation as a wireless receiver and transmitter.

### FEATURES

- Battery powered LED fixture - no need for mains power.
- Long battery life - NiMH battery lasts up to 30 hours.
- Long product life - up to 1,000 battery recharges.
- Wireless control and syncing between units - no cables.
- 600 hot lumen output - extremely bright for a battery powered fixture.
- RGBA - improved colour rendition and a wider colour range.
- High CRI of 92.
- Theatrical grade dimming.
- Future proof - interchangeable head.
- Green design.
- Floor or truss mountable.

### OVERALL SPECIFICATIONS

Net dimensions (without fixings): Width: 140mm / 5.5"  
 Height: 230mm / 9"  
 Depth: 280mm / 11"  
 Net weight: 7.5kg / 16lbs  
 Shipping dimensions: Width: 330mm / 13"  
 Height: 304mm / 12"  
 Depth: 190mm / 7.5"  
 Shipping weight: 8kg / 18lbs  
 Power input rating: 100-240V AC, 50-60 Hz, 100W, IEC  
 Power connectors in/out: XLR 5-pin

### OVERALL SPECIFICATIONS cont.

Control protocol: ANSI E1.1 DMX-512A, Wireless W-DMX  
 Cooling system: Convection  
 Construction: Black anodised aluminium extrusion  
 Colour: Black  
 LED cells: 1  
 Total LEDs: 12 (3 x RGBA)  
 Control modes: 5 channels St RGBI (\*Magic Amber),  
 5 channels Fx HSI, 3 channels RGB,  
 4 channels RGBA, 1 channel DMX Look Select, Demo, Stand-alone Master Slave  
 Dimming curve: Theatrical  
 Variable effects engine: Yes  
 Effects parameters: Colour speed, colour fan, colour range,  
 colour step, intensity effects and intensity fan  
 Hot lumen output: White 600 hot lumens (prelim)  
 CRI: 92  
 Optics: Specialised close focus lens  
 Beam angle: 22°  
 Beam dispersion: Symmetrical direct illumination  
 CCT: Adjustable 1,000 - 10,000K  
 Colour gamut: Performance enhanced  
 Lamp life: L70 up to 50,000 hours  
 IP rating: IP20  
 Built-in hardware: 1/2" nutsert, Kensington lock slot  
 Approvals: Pending for EN55103-1 & 2  
 Pending for IEC60950

### ORDERING INFORMATION

<b>Model</b>	<b>Part No</b>
Chroma-Q Color Charge RGBA	CHCCRGBA

### ACCESSORIES

<b>Model</b>	<b>Part No</b>
Chroma-Q Half Hat Snoot for Color Charge	CHCCHHS

\* Magic Amber is the term used for the unit's ability to bring in amber when mixing colours that require it.



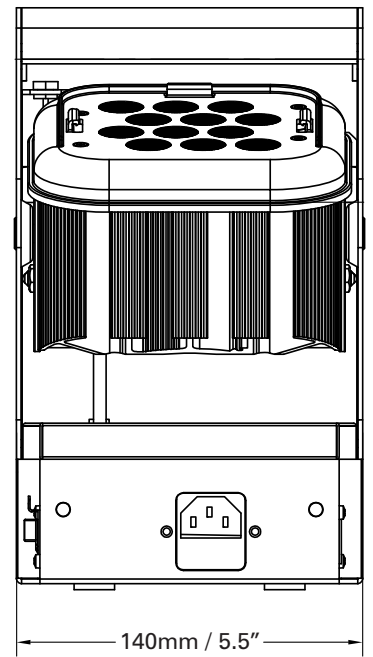
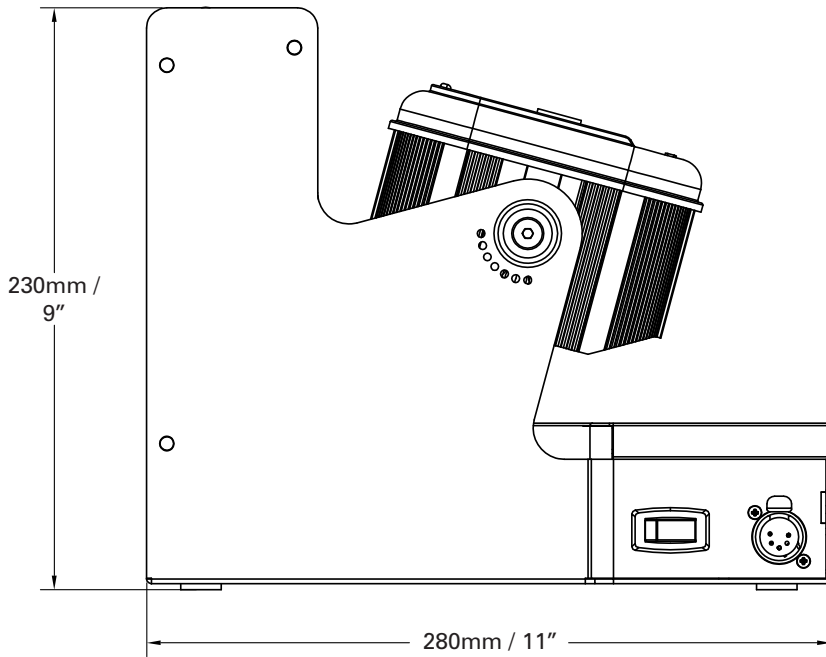
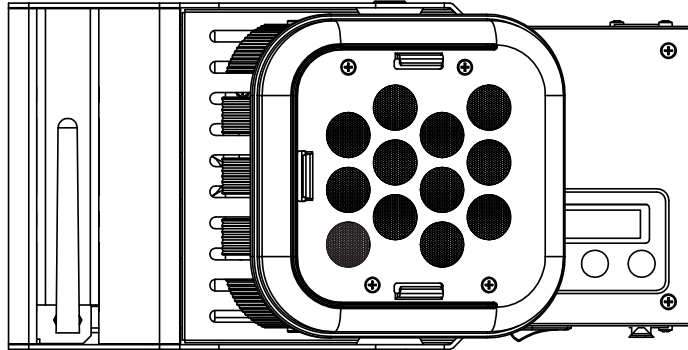


# Chroma-Q™ Color Charge™ RGBA LED Fixture

Part No:  
**CHCCRGBA**

## S P E C I F I C A T I O N S H E E T

V 1.0



[www.chroma-q.com](http://www.chroma-q.com)



All Chroma-Q LED products are licensed by Color Kinetics. Chroma-Q and all associated product names are recognised trademarks, for more information visit [www.chroma-q.com/trademarks](http://www.chroma-q.com/trademarks). The rights and ownership of all trademarks are recognised. The information contained herein is correct at the time of printing, however as we are constantly refining our product range we reserve the right to change the specification without notice. E60E.