



Chroma-Q™ Color Charge Plus™ LED Fixture

**Part No:
CHCCPRGBA**

S P E C I F I C A T I O N S H E E T

V 1.0

DESCRIPTION

The fixture shall provide a portable, battery powered LED lighting source.

The battery shall be NIMH.

The head shall be focusable over a range greater than 90°.

The fixture shall be suitable for a wide range of indoor temporary lighting applications.

The fixture shall provide wireless and wired control.

The fixture shall provide a master slave mode via wireless signal.

The fixture shall provide RGBA colour mixing.

The fixture shall provide a high CRI of 92.

The fixture shall provide 900 hot lumens output.

The fixture shall provide up to 30 hours usage from a single battery charge.

The fixture shall have a gas gauge.

The fixture shall provide a smooth, linear dimming curve.

The fixture shall offer a choice of RGB, RGBA, St RGBI (*Magic Amber™) and Fx HSI control modes.

The fixture shall feature a built-in stand-alone mode with real-time triggering.

The fixture shall be manufactured from partially recyclable materials.

The fixture shall be fanless.

The fixture shall provide operation as a wireless receiver and transmitter.

FEATURES

- 900 lumens output – super bright for a battery powered fixture
- 50% more light output than original Color Charge
- Battery powered LED fixture - no need for mains power
- Long battery life - NiMH battery lasts up to 30 hours
- Long product life - up to 1,000 battery recharges
- Wireless control and syncing between units - no cables
- RGBA - improved colour rendition and a wider colour range
- High CRI of 92
- Theatrical grade dimming
- Future proof - interchangeable head
- Green design

OVERALL SPECIFICATIONS

Net dimensions (without fixings):	Width: 140mm / 5.5" Height: 230mm / 9" Depth: 280mm / 11"
Net weight:	7.5kg / 16lbs
Shipping dimensions	Width: 330mm / 13" Height: 304mm / 12" Depth: 190mm / 7.5"
Shipping weight:	8kg / 18lbs

OVERALL SPECIFICATIONS cont.

Power (for charging only):	100-240V AC, 50-60 Hz, 160VA
Power connector in/out:	IEC
Data connector in/out:	XLR 5-pin
Control protocol:	ANSI E1.11 DMX-512A, Wireless W-DMX / XLR 5-pin in / through
Cooling system:	Convection
Construction:	Anodised aluminium extrusion
Colour:	Black
Built-in hardware:	1/2" nutsert, Kensington lock slot
IP rating:	IP20
Approvals:	CISPR 22 :2006/EN55022 :2006 CISPR 24 :1997/EN55024 :1998 ICES-003 :2004 & FCC Part 15 Subpart B: 2007, CSA C22. No. 166-M1983: R2008 UL 1573:2003; UL 8750
LED cells:	1
Total LEDs:	12
Control modes:	5 channels St RGBI (*Magic Amber), 5 channels Fx HSI, 3 channels RGB, 4 channels RGBA, 1 channel DMX Look Select, Demo, Stand-alone Master Theatrical
Dimming curve:	Theatrical
Variable effects engine:	Yes
Effects parameters:	Colour speed, colour fan, colour range, colour step, intensity effects and intensity fan
Hot lumen output:	White 900 lumen Red 132 lumen Green 475 lumen Blue 46 lumen Amber 117 lumen
Optics:	Specialised close focus lens
Beam angle:	22° (Approx.)
Beam distribution:	Symmetrical direct illumination
CCT:	Adjustable 1,000 - 10,000K
Colour gamut:	Performance enhanced
CRI:	92
Lamp life:	L70 at 50,000 hours

ORDERING INFORMATION

Model	Part No
Chroma-Q Color Charge Plus RGBA	CHCCPRGBA

ACCESSORIES

Model	Part No
Chroma-Q Half Hat Snoot for Color Charge	CHCCHHS
Chroma-Q Power Cradle to Take 3 Color Charge Units	CHCCCI
Chroma-Q Replacement Battery Pack For Color Charge	CHCCBP

*Magic Amber is the term used for the unit's ability to bring in amber when mixing colours that require it.



www.chroma-q.com

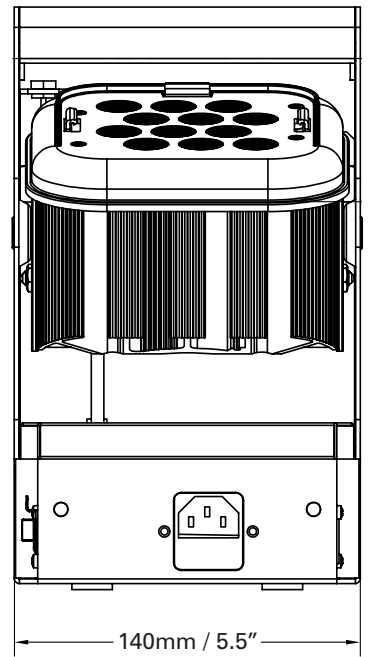
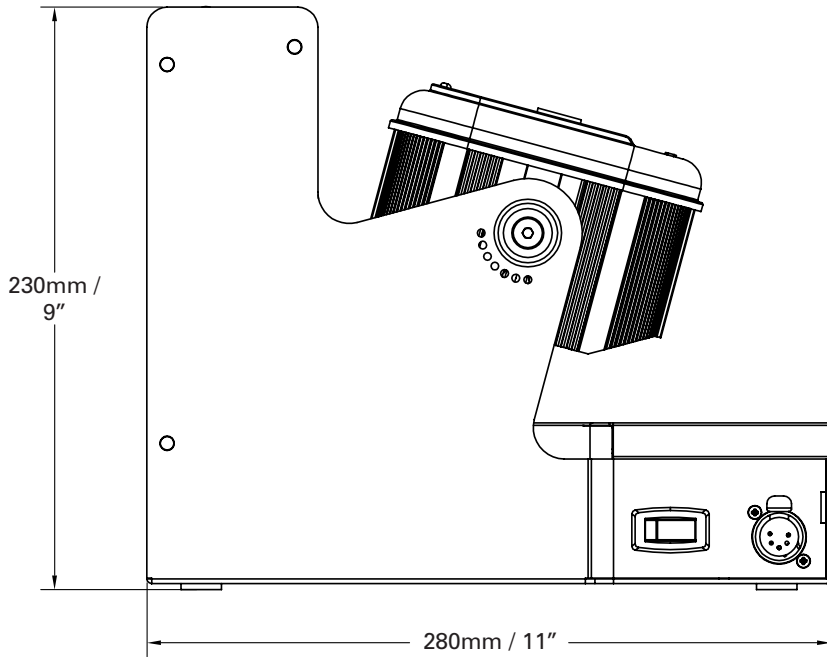
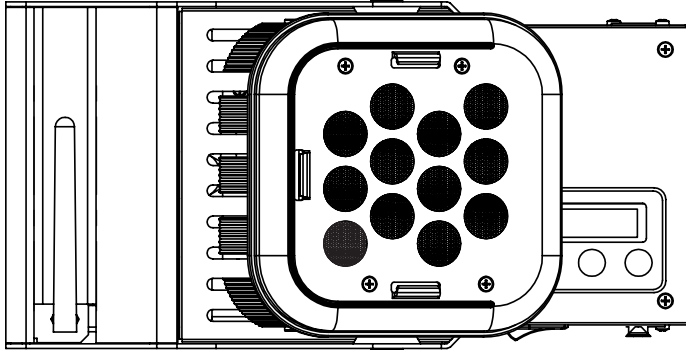


Chroma-Q™ Color Charge Plus™ LED Fixture

Part No:
CHCCPRGBA

SPECIFICATION SHEET

V 1.0



www.chroma-q.com

