



Chroma-Q™ Color Force Compact RGBA Multi-Purpose LED Fixture

**Part No:
CHCFCRRGBA**

S P E C I F I C A T I O N S H E E T

V 1.1

DESCRIPTION

The fixture shall provide a very powerful 1700 hot lumens output for washing areas up to 8m / 26ft high.

The fixture shall be suitable for a wide range of entertainment lighting disciplines, including uplighting, pipe-end, shin busting, backlighting, truss toner and other wash applications.

The fixture shall be IP65 rated.

The fixture shall feature a compact design.

The fixture shall be suitable for floor, wall or truss mounting.

The fixture shall provide RGBA colour mixing.

The fixture shall provide a high CRI of 92.

The fixture shall provide a smooth, linear dimming curve.

The fixture shall offer a choice of HSI, FxHSI, RGB (*Magic Amber), RGBA, RGBI (Magic Amber), Look Select, Master and Slave Standalone control modes.

The fixture shall feature a built-in stand-alone mode with real-time triggering.

The fixture shall feature an external power supply - Color Force Compact PSU15.

The fixture shall be manufactured from extruded material.

The fixture shall allow daisy-chaining of up to five units on a single PSU15 output.

The fixture shall be compatible with selected City Theatrical accessories.

FEATURES

- Massive output across the spectrum - 1700 lumens
- Multi-purpose - suitable for numerous entertainment lighting disciplines
- Huge RGBA full colour palette and high CRI of 92.
- Deep cold blues, red hot lava looks and super soft pastels from a single fixture
- Extremely smooth uniform wash
- IP65 rating for temporary outdoor applications
- Cost-effective entry-level model utilising Color Force technologies
- Compact 235mm / 9.25in length is ideal for floor, wall or truss mounting
- Theatrical grade dimming
- Accepts City Theatrical accessories

OVERALL SPECIFICATIONS

Net dimensions (without fixings):
 Width (A): 235mm / 9.25"
 Height (B): 197mm / 7.75"
 Depth (C): 152mm / 6"

Net weight: 4 kgs / 8.5 lbs

Shipping dimensions:
 Width: 267mm / 10.5"
 Height: 254mm / 10"
 Depth: 241mm / 9.5"

Shipping weight: 5.4kgs / 12lbs

Power input rating: 48V DC

Power consumption: 60 watts

Power connector in/out: XLR 4-pin

*Magic Amber is the term used for the unit's ability to bring in amber when mixing colours that require it. ** As per IEC60529 ingress protection rating code.

OVERALL SPECIFICATIONS CONTINUED

Data connector in/out: XLR 4-pin

Max cable run: ~60m / 200ft

Power: External - PSU15 - see specification sheet

Control protocol: ANSI E1.11 DMX-512A / Wireless Option

Cooling system: Convection

Construction: Cast machined enclosure

Colour: Black

Built in hardware: Yoke assembly

IP Rating: **IP65

Approvals: CISPR22 :2006/EN55022 :2006 & CISPR 24 :1997/ EN55024 :1998, ICES-003 :2004 & FCC Part 15 Subpart B: 2007

LED engines: 1

LEDs per engine: 28

Total LEDs: 28

Control modes: 52 channels FxHSI, 45 channels HSI, 45 channels RGB, 15 channels FxHSI, 9 channels HSI, 9 channels RGB, 9 channels FxHSI, 3 channels HSI, 3 channels RGB, 60 channels RGBA, 61 channels sRGBI, 12 channels RGBA, 13 channels sRGBI, 4 channels sRGBA, 5 channels sRGBI, Look Select, Master Standalone, Slave Standalone

Dimming Curve: Theatrical

Variable effects engine: Yes

Effects parameters: Colour speed, colour range, colour step, grouping, colour fan and intensity effects.

Hot Lumen output: White 1700 lumens
 Red 350 lumens
 Green 960 lumens
 Blue 90 lumens
 Amber 700 lumens

Optics: Specialised close focus lens

Beam angle: 14° (approx.)

Beam Angle With
 Optional Frosted Optic: 21° (approx.)

Beam distribution: Asymmetrical direct illumination

CCT: Adjustable 1,000 - 10,000K

Colour Gamut: Performance enhanced

CRI: 92

Lamp life: L70 at 50,000 hours



www.chroma-q.com



Chroma-Q™ Color Force Compact RGBA Multi-Purpose LED Fixture

Part No: CHCFCRGBA

S P E C I F I C A T I O N S H E E T

V 1.1

ORDERING INFORMATION

Model
Color Force Compact

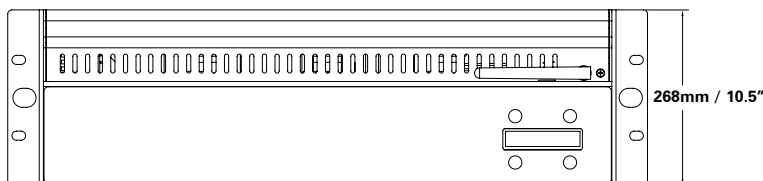
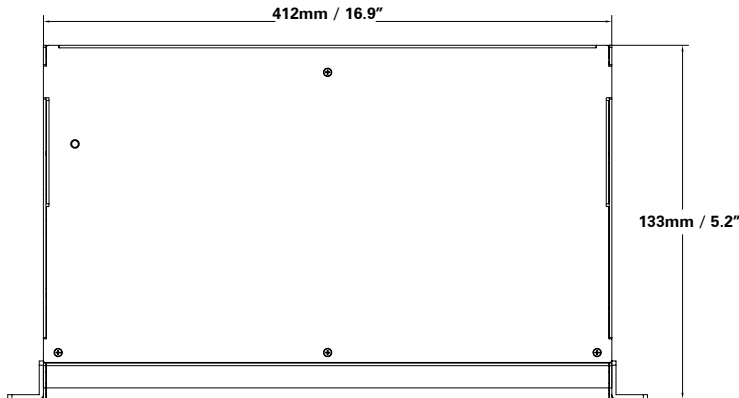
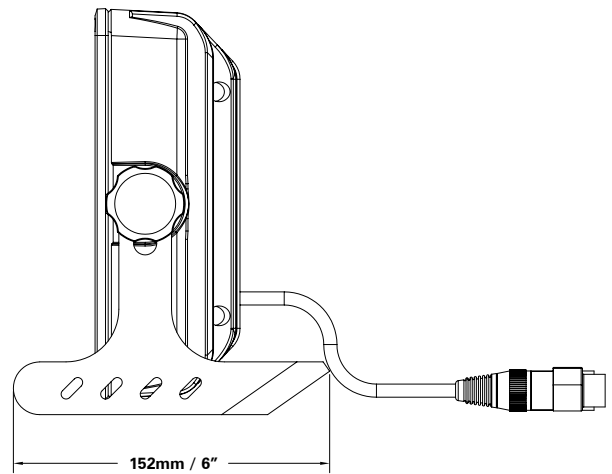
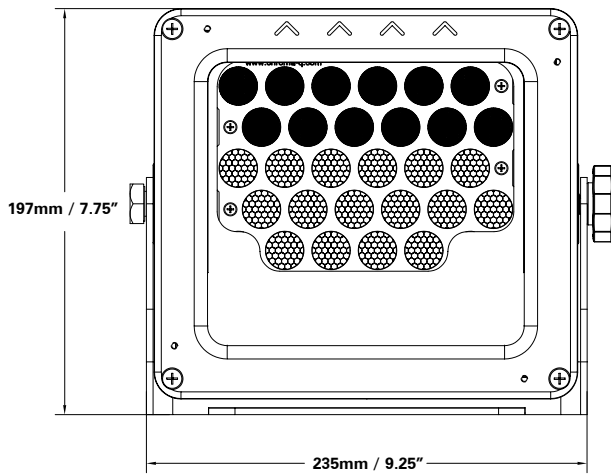
Part No
CHCFCRGBA

ACCESSORIES

Model
***Top Hat For Compact - Black
***Half Top Hat For Compact - Black
***Egg Crate Louver For Compact Black
***Barn Door For Compact - Black
Clear Glass For Compact (Comes with fixture)
Frosted Glass For Compact (Comes with fixture)
Color Force Accessory Holder (Comes with fixture)
W-DMX Wireless Option For PSU-15

Part No
CHCFCTH
CHCFCHTH
CHCFCECL
CHCFCBD
CHCFCCCL
CHCFCL
CHCFCAH
CHCFCDMXOP

***City Theatrical accessories.



www.chroma-q.com

