



Chroma-Q™ Universal Colour Changer

Part No: CHCQMU

SPECIFICATION SHEET

V 1.4

DESCRIPTION

The scroller shall provide control of a user customised internal gel string containing from 2 to 24 frames.

The scroller shall be compatible with lighting fixtures up to 203mm / 8" lens aperture and be adjustable to different fixtures using its variable mounting plate.

The scroller shall be controlled via the industry standard ANSI E1.11 USITT DMX 512-A protocol. Power and data transfer shall be provided by an XLR 4-pin connector. The DMX system shall allow for group or individual addressing of units.

The scroller shall be addressed using manual switches located on the unit. These switches shall be used to select mode of operation.

The scroller shall have two internal cooling fans and diagnostic LED indicators showing Power, DMX signal presence and DMX level.

The scroller shall provide DMX control of scrolling speed and cooling fan speed.

The scroller shall have a gel saver mode to increase longevity of the gel strings.

Note: To simplify the choice of power supply we use the "PU" (Power Unit) to calculate the load requirements of the Chroma-Q system. For example a PS08 will supply up to 8PU's, so you can plug-in 5 Chroma-Q Universal (5 x 1.5PU = 7.5PU) into a PS08.

FEATURES

- Fits 500-2000W fixtures, with a lens of up to 203mm / 8" in diameter.
- Universal mounting system adjusts between 147-275mm / 6.8-10.8" and requires no additional mounting plates.
- Suitable for up to 50° beam angle (without light loss).
- DMX control for fan speed, scrolling speed, gel saver mode and reset.
- 2 - 24 frames.
- Highly reliable design.
- Rugged but lightweight construction.
- Easily accessible working components.
- Industry standard connectors.
- Fully compatible with other Chroma-Q models & accessories.
- Operation status indicators.
- Automatic self-calibration.

ORDERING INFORMATION

Model	Part No.
Chroma-Q Universal colour changer	CHCQMU

OVERALL SPECIFICATIONS

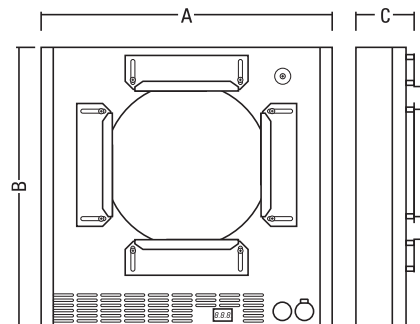
Net dimensions:	width (A): 359mm / 14.1" height (B): 345mm / 13.6" depth (C): 80mm / 3.1"
Net weight:	2.5kg / 5.5lbs inc. brackets

OVERALL SPECIFICATIONS cont.

Shipping dimensions:	width: 380mm / 15.0" height: 355mm / 14.0" depth: 90mm / 3.5"
Shipping weight:	2.5kg / 5.5lbs
Rear aperture:	203mm / 8"
Front aperture:	260mm / 10.3"
Frame capacity:	2-24 colours
Colour media:	Pro Color HT+, Rosco Supergel & GAMcolor recommended
Cooling:	2 fan design
Cooling speed:	Multiple speeds
Addressing:	Digitally via 3 push buttons and LED display
Working Voltage:	24VDC (+/- 10%)
Power consumption:	1.5PU (see note below)
Protocol:	ANSI E1.11 USITT DMX 512-A
Body material:	Aluminium
Colour:	Black powder coat (white available)
Mounting plate:	Universal mounting system fits 147mm-275mm fixtures (5.8"-10.8")
Safety cable:	Included
Connectors:	XLR-4 (male) in & XLR-4 (female) through

ACCESSORIES

Model	Part No.
Chroma-Q 2PU DMX/Power Unit	PS02
Chroma-Q 8PU DMX/Power Unit	PS08
Chroma-Q Magic Box 12PU DMX/Power Unit	MBPS12
"Theatre" colour scroll (specify no of frames)	GST
"Rock & Roll" colour scroll (specify no of frames)	GSR
High temperature clear scroll tape	ST
Various lengths of Tourflex® Datasafe™ cable	



www.chroma-q.com

