

# Quick Start Guide

## Chroma-Q®

### Hang Force™ for

### Color Force II™ Studio Force II™



**Chroma-Q®**  
BRILLIANT SOLUTIONS

For a full product manual please visit [chroma-q.com](http://chroma-q.com)

For use with

Part Number: CQ641-9003, CQ641-9004, CQ641-9103, CQ641-9104

Model: 641-9003, 641-9004, 641-9103, 641-9104

## 1. Items in the Kit: Hang Force (641-9003 / 641-9004, 641-9103 / 641-9104)

Items	Part Number	Qty.
Hang Force for CFII SFII 48 Black / CFII SFII 48 White Hang Force for CFII SFII 72 Black / CFII SFII 72 White	641-0057 / 641-0058/ 641-0060 / 641-0061	1
Stabilizer Black / White (assembled)	641-0063 / 641-0064	2
Screw M3, 8mm Long, Flat Head (assembled)	430-1108-0	4
Quarter Turn Male Wing Head with Spring Washer	338-6101-1	4
Washer Flat M14 28mm_OD	414-2128-1	8
Quarter Turn Capacitive Washer	338-6104-1	4
Screw M3, 8mm Long, Flat Head	430-1108-0	8
Quarter Turn Female	338-6102-1	4
Quarter Turn Cap for Female	338-6103-1	4
Nut Hex M3, Nylock	430-3304-0	8
Hang Force Installation Guide	641-0704	1

- Light Fixture (Studio Force / Color Force) is not included in the kit

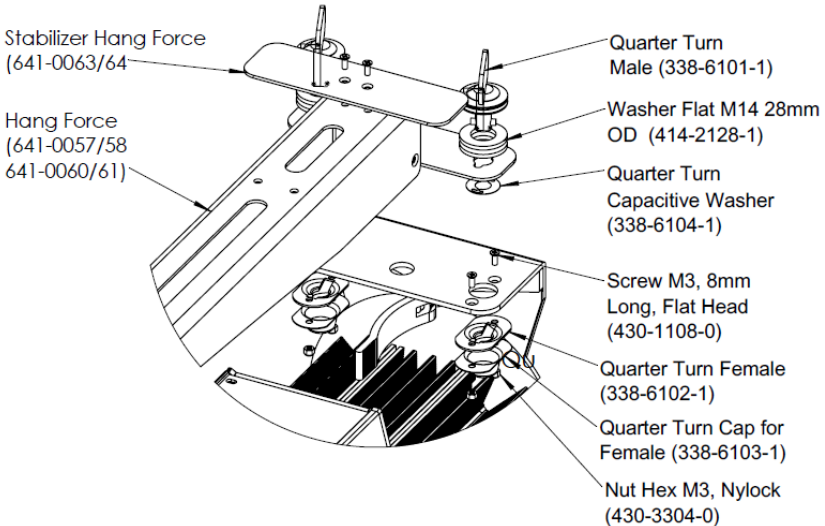


Figure 1: Exploded view of Hang Force Kit

## 2. Tools Required

- Screwdriver Philips #1 Screw Driver (Minimum torque: 5.5 in.-lb.)
- 5.5 mm (or adjustable) wrench/spanner

## 3. Installation Procedure

1. Insert Quarter Turn Male (338-6101-1) through two M14 Flat Washers (414-2128-1), the Hang Force cut out and Quarter Turn Capacitive Washer (338-6104-1) sequentially as shown in the Figure 2. Repeat the process for the other three positions.

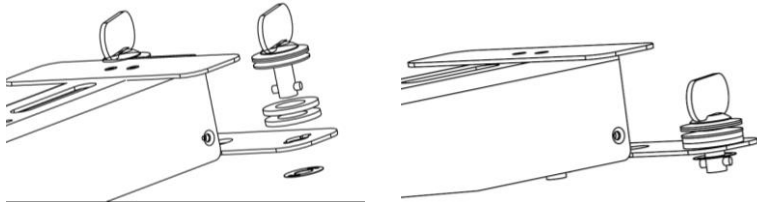


Figure 2: Male Quarter Turn fastener assembly

2. Attach the Quarter Turn Female (338-6102-1) fastener and Quarter Turn Cap for Female (338-6103-1) fastener with two M3 Screws (430-1108-0) and two M3 Nut (430-3304-0). Repeat this process for the other three positions.

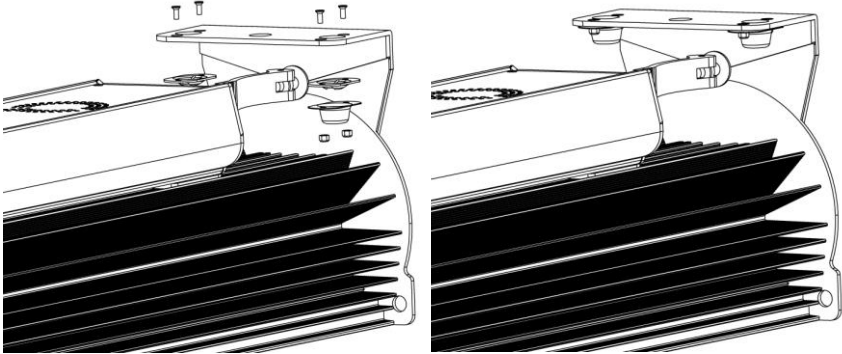


Figure 3: Female Quarter Turn fastener assembly

3. Attach the Hang Force with Studio Force / Color Force by aligning the male and female quarter turn fasteners and rotating the Male fasteners clockwise.

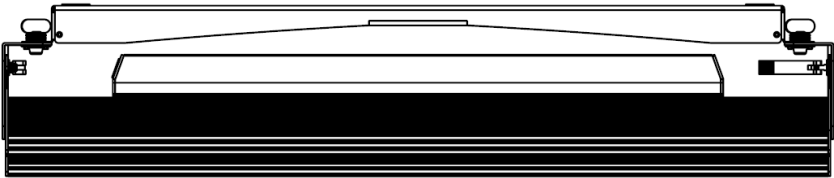


Figure 4: Assembled Hang Force

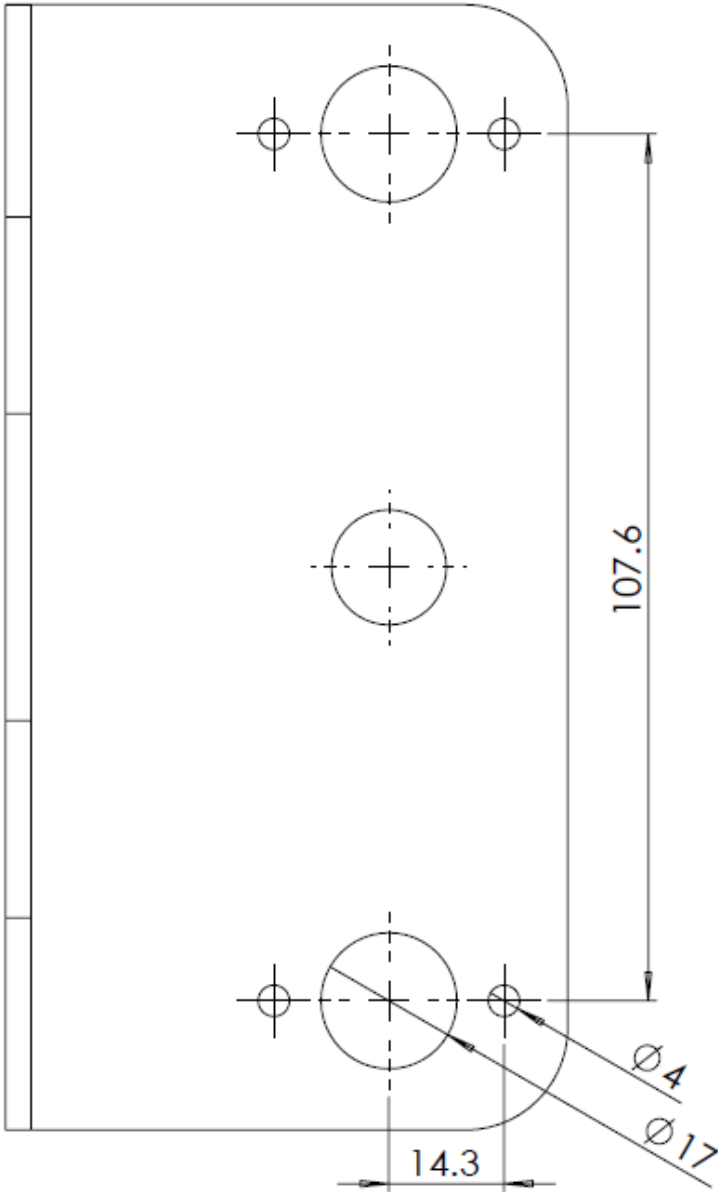
#### 4. Foot Plate Upgrade

This section is only for the footplates that does not have the option of mounting quarter turn female hardware. The foot plate can be upgraded with footplate replacement kit or by drilling / machining to allow the mounting of the quarter turn female hardware.

- a. **Foot Plate Replacement:** The replacement footplates are available with the following kits:

Part Number	Description
CQ641-9140	FOOT PLATE REPLACEMENT KIT QRTR TURN BLK FOR CF/SF
CQ641-9141	FOOT PLATE REPLACEMENT KIT QRTR TURN WHT FOR CF/SF

**b. Foot Plate Machining:** Drill the 2 X  $\varnothing 17$ mm and 4 X  $\varnothing 4$  mm holes at the position shown. The following drawing can be used as a template to drill the holes.



## **Disclaimer**

Dimensions and illustrative drawings contained herein are accurate to the company's knowledge at the time of printing, however specifications are subject to change without notice.

## **Further Information**

Please refer to the *Chroma-Q Studio Force II™*, *Color Force II™* manual for more detailed information. A copy of the manual can be found at the Chroma-Q website – <https://chroma-q.com/support/downloads>

# Approvals & Disclaimer



The information contained herein is offered in good faith and is believed to be accurate. However, because conditions and methods of use of our products are beyond our control, this information should not be used in substitution for customer's tests to ensure that Chroma-Q products are safe, effective, and fully satisfactory for the intended end use. Suggestions of use shall not be taken as inducements to infringe any patent. Chroma-Q sole warranty is that the product will meet the Chroma-Q sales specifications in effect at the time of shipment. Your exclusive remedy for breach of such warranty is limited to refund of purchase price or replacement of any product shown to be other than as warranted.

Chroma-Q reserves the right to change or make alteration to devices and their functionality without notice due to on-going research and development.

The Chroma-Q Studio Force II and Chroma-Q Color Force II has been designed specifically for the lighting industry. Regular maintenance should be performed to ensure that the products perform well in the entertainment environment.

If you experience any difficulties with any Chroma-Q products please contact your selling dealer. If your selling dealer is unable to help please contact [support@chroma-q.com](mailto:support@chroma-q.com). If the selling dealer is unable to satisfy your servicing needs, please contact the following for full factory service:

Outside North America:  
Tel: +44 (0)1494 446000  
Fax: +44 (0)1494 461024  
[support@chroma-q.com](mailto:support@chroma-q.com)

North America:  
Tel: +1 416-255-9494  
Fax: +1 416-255-3514  
[support@chroma-q.com](mailto:support@chroma-q.com)

For further information please visit the Chroma-Q website at [www.chroma-com](http://www.chroma-com).

Chroma-Q is a trademark, for more information on this visit [www.chroma-q.com/trademarks](http://www.chroma-q.com/trademarks).

The rights and ownership of all trademarks are recognized.